



Dynapac DFP8


Plate compactors





Technical data

 Masses	
Basic mass	82 kg
Operating mass (CE)	83 kg

 Traction	
Max. gradeability	30 %
Max. working speed	25 m/min

 Compaction	
Frequency	90 Hz
Centrifugal force (front/rear)	10 kN
Amplitude (front/rear)	0.89 mm
Water tank volume	7 l

 Engine	
Manufacturer/Model	Honda GX 120
Emissions according to	CARB Phase III
Type	Air cooled gasoline
Number of cylinders	1
Fuel consumption /h, avg.	0.9 l
Fuel tank capacity	2 l
Power	2.6 kW @ 3600 rpm

 Drive system	
Drive system	Mechanical

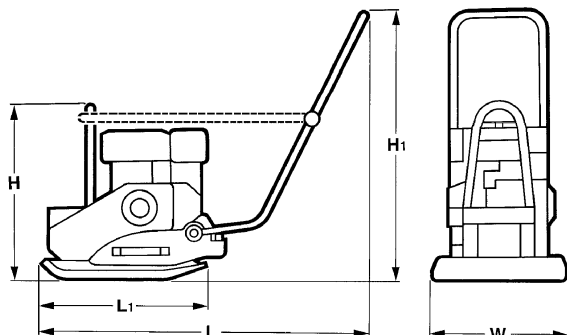
Find us locally at www.dynapac.com

We reserve the right to change specifications without notice. Photos and illustrations do not always show standard versions of machines. The above information is a general description only, all informations are supplied without liability.

Dynapac DFP8

Plate compactors

Technical data



Dimensions	
H. Height	535 mm
H1. Height	915 mm
L. Length	115 mm
L1. Length	558 mm
W. Basic plate width	360 mm

Standard equipment

- Base plate in highly wear resistant material
- Foldable steering handle with vibration insulation
- Detachable steering handle
- Automatic shutdown at low oil level
- V-belt protection cover
- Recoil starter
- Carrying handles
- One point lift

Optional equipment

- Comfort handle
- Water sprinkler system (+10 kg)
- Transport wheels (+4 kg)
- Plastic mat
- Service Kit

Find us locally at www.dynapac.com

We reserve the right to change specifications without notice. Photos and illustrations do not always show standard versions of machines. The above information is a general description only, all informations are supplied without liability.