

Dynapac DRP20D

Plate compactors



Technical data



Masses

Basic mass	207 kg
Operating mass	210 kg



Traction

Max. gradeability	32 %
Max. working speed	27 m/min



Compaction

Frequency	80 Hz
Centrifugal force	35 kN
Amplitude	1.50 mm



Engine

Manufacturer/Model	Hatz 1B20
Emissions according to	Stage V /non EPA
Type	Air cooled, diesel
Number of cylinders	1
Fuel consumption /h, avg.	0.7 l
Fuel tank capacity	3 l
Power	3.1 kW @ 3000 rpm



Drive system

Drive system	Mechanical
--------------	------------

Find us locally at www.dynapac.com

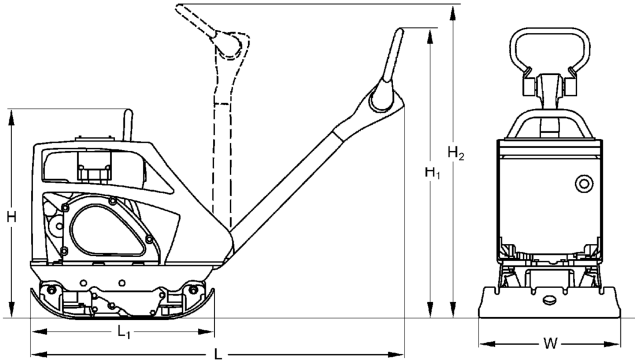
We reserve the right to change specifications without notice. Photos and illustrations do not always show standard versions of machines. The above information is a general description only, all informations are supplied without liability.

Dynapac DRP20D

Plate compactors



Technical data



Dimensions

H. Height	720 mm
H1. Height	1020 mm
H2. Height	1150 mm
L. Length	1405 mm
L1. Length	760 mm
W. Basic plate width	420 mm



Standard equipment

- Control handle with vibration isolation
- Height adjustable control handle
- Control handle lock in transport and working position
- Reverse drive protection
- Highly wear resistant base plate
- All around protection hood
- All around protection for V-belt
- One point lift
- Automatic decompression
- Recoil starter



Optional equipment

- Block paving mat
- Puncture proof transport wheels (+5kg)
- Service Kit

Find us locally at www.dynapac.com

We reserve the right to change specifications without notice. Photos and illustrations do not always show standard versions of machines.
The above information is a general description only, all informations are supplied without liability.