


# Dynapac DRP70D


## Plate compactors




### Technical data


 Masses	
Basic mass	695 kg
Operating mass	104 kg
Operating mass (W)	700 kg
Operating mass (W1)	677 kg
Operating mass (W2)	716 kg


 Traction	
Max. gradeability	35 %
Max. working speed	28 m/min

 Compaction	
Frequency	54 Hz
Centrifugal force (front/rear)	100 kN
Amplitude (front/rear)	2.70 mm
Amplitude	1,63

 Engine	
Manufacturer/Model	Hatz 1D 90
Emissions according to	Stage V
Type	Air cooled diesel
Number of cylinders	1
Fuel type	Diesel
Fuel consumption /h, avg.	2.2 l
Fuel tank capacity	10 l
Power	10.3 kW @ 2600 rpm

 Drive system	
Drive system	Mechanical

Find us locally at [www.dynapac.com](http://www.dynapac.com)

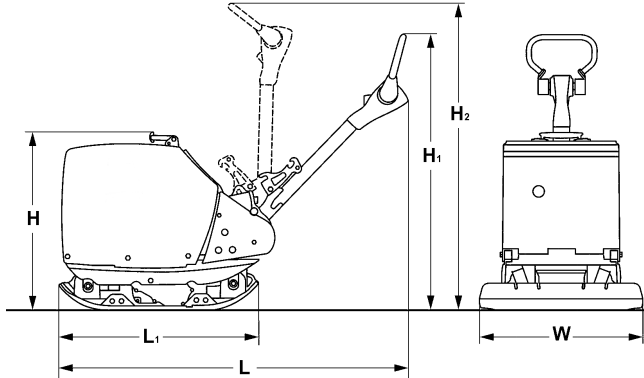
We reserve the right to change specifications without notice. Photos and illustrations do not always show standard versions of machines. The above information is a general description only, all informations are supplied without liability.

# Dynapac DRP70D

## Plate compactors



### Technical data



Dimensions	
H. Height	910 mm
H1. Height	1180 mm
H2. Height	1540 mm
L. Length	1890 mm
L1. Length	980 mm
W. Basic plate width	800 mm (75 + 650 + 75)
W1. Plate width, without extensions	650 mm
W2. Plate width, with extensions	950 mm (150 + 650 + 150)



#### Standard equipment

- Control handle -comfort -with vibration isolation
- Height adjustable control lever
- Control lever lock in transport and working position
- Reverse drive protection
- Highly wear resistant base plate
- All around protection hood
- All around protection for V-belt
- Automatic shutdown at low oil level
- One point lift
- Electric starter
- Hour meter



#### Optional equipment

- Crank start handle (+3kg)
- Block paving mat
- Extension plate
- Service Kit

Find us locally at [www.dynapac.com](http://www.dynapac.com)

We reserve the right to change specifications without notice. Photos and illustrations do not always show standard versions of machines.  
The above information is a general description only, all informations are supplied without liability.