

# Dynapac DRQ30

## Reversible plates



### LONGEVITY

- Wear resistance characteristics of HARDOX maximizes the life-time of the base-plate.
- Open-style construction of the base-plate prevents the stones from getting stuck, thus reducing the wear & tear.

### DURABILITY

- Robust all-around protection cage with solid one-point lift.

### COMFORT

- Low levels of hand arm vibration is made possible by the vibration damping solution.

### PRACTICAL

- Easy-open flaps to access daily check points like fuel tank cap, filter.

## Technical data



### Masses

Basic mass	280 kg
Operating mass	282 kg



### Traction

Max. gradeability	20 %
Max. working speed	25 m/min



### Compaction

Amplitude	1.8mm
Centrifugal force	40 kN
Frequency	78Hz



### Engine

Manufacturer/Model	Honda GX270
Emissions according to	StageV & US EPA
Type	Air cooled, Petrol
Number of cylinders	1
Fuel consumption /h, avg.	1.70 l
Fuel tank capacity	5.30 l
Power	6.3Kw



### Drive system

Drive system	Mechanical
--------------	------------

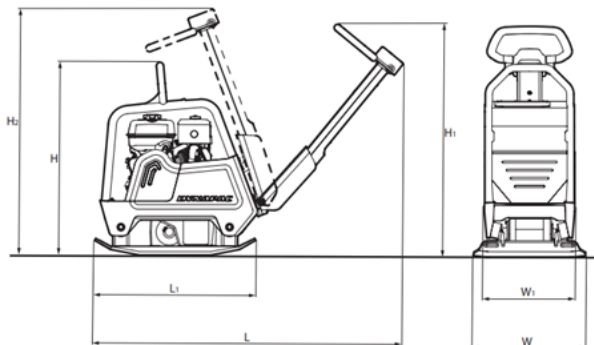
Find us locally at [www.dynapac.com](http://www.dynapac.com)

We reserve the right to change specifications without notice. Photos and illustrations do not always show standard versions of machines. The above information is a general description only, all informations are supplied without liability.

# Dynapac DRQ30

## Reversible plates

### Technical data



#### Dimensions

H. Height	935mm
H1. Height	1110mm
H2. Height	1200mm
L. Length	1540mm
L1. Length	785mm
W. Basic plate width	500mm



#### Standard equipment

- Control handle -comfort -with vibration isolation
- Height adjustable control lever
- Control lever lock in transport position
- Reverse drive protection
- Highly wear resistant hardox base plate
- Protection hood
- All around protection for V-belt
- One point lift
- Recoil starter



#### Optional equipment

- Block paving mat
- Service Kit

Find us locally at [www.dynapac.com](http://www.dynapac.com)

We reserve the right to change specifications without notice. Photos and illustrations do not always show standard versions of machines.  
The above information is a general description only, all informations are supplied without liability.