



TECHNICAL DATA

MASSES

Basic mass	52 kg
Operating mass	52 kg

COMPACTION

Frequency	112 Hz
Centrifugal force	9 kN

TRACTION

Max. working speed	25 m/min
--------------------	----------

ELECTRICAL SYSTEM

Battery type	Lithium-ion
Nominal battery voltage	24 V
Battery capacity (gross)	1000 Wh

ELECTRICAL MOTOR

Motor type	600 Watts IPM motor
Motor power	1.8 kW

DRIVE SYSTEM

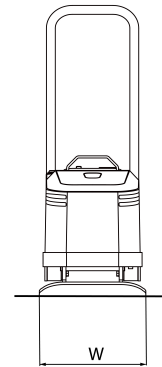
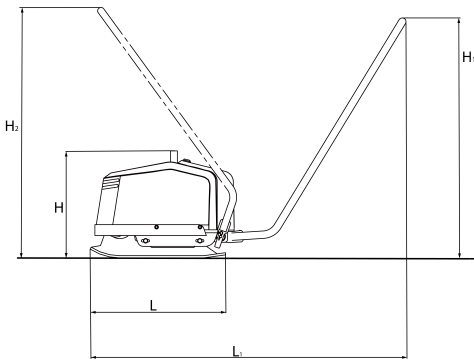
Drive system	Mechanical
--------------	------------

Find us locally at www.dynapac.com

We reserve the right to change specifications without notice. Photos and illustrations do not always show standard versions of machines. The above information is a general description only, all informations are supplied without liability.



DIMENSIONS



DIMENSIONS

H. Height	390 mm
H1. Height	850 mm
H2. Height	840 mm
L. Length	500 mm
L1. Length	1050 mm
W. Basic plate width	300 mm

STANDARD EQUIPMENT

- Effort free start/stop system
- Foldable steering handle
- Highly wear resistant base plate
- Protection cover for power pack
- Lifting handle
- One point lift

OPTIONAL EQUIPMENT

- Li-ion Battery(1000 Wh)
- Charger (24V) with bag
- Block paving mat

Find us locally at www.dynapac.com

We reserve the right to change specifications without notice. Photos and illustrations do not always show standard versions of machines. The above information is a general description only, all informations are supplied without liability.