



TECHNICAL DATA

MASSES

Basic mass	52 kg
Operating mass	52 kg

COMPACTION

Frequency	115Hz
Centrifugal force	9 kN
Amplitude	0.8mm

TRACTION

Max. gradeability	20 %
Max. working speed	25 m/min

ENGINE

Manufacturer/Model	Honda GXR120
Emissions according to	EU Stage V
Type	Air cooled, Petrol
Number of cylinders	1
Fuel tank capacity	2.60 l
Power	1.8 kw @ 3500 rpm

DRIVE SYSTEM

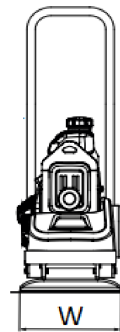
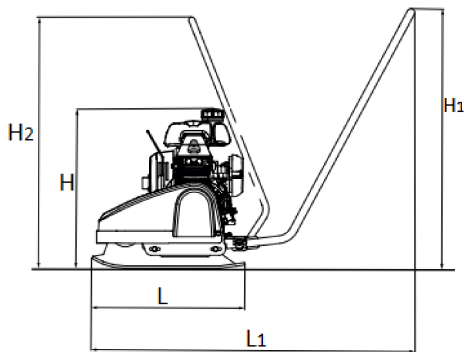
Drive system	Mechanical
--------------	------------

Find us locally at www.dynapac.com

We reserve the right to change specifications without notice. Photos and illustrations do not always show standard versions of machines. The above information is a general description only, all informations are supplied without liability.



DIMENSIONS



DIMENSIONS

H. Height	520 mm
H1. Height	870 mm
H2. Height	840 mm
L. Length	500 mm
L1. Length	1110 mm
W. Basic plate width	300 mm

STANDARD EQUIPMENT

- Foldable steering handle with vibration isolation
- Highly wear resistant base plate
- Automatic shutdown at low oil level
- All around protection for V-belt
- Recoil starter
- Carrying handles
- One point lift

OPTIONAL EQUIPMENT

- Block paving mat
- Service Kit

Find us locally at www.dynapac.com

We reserve the right to change specifications without notice. Photos and illustrations do not always show standard versions of machines. The above information is a general description only, all informations are supplied without liability.