



## TECHNICAL DATA

### MASSES

Basic mass	222 kg
Operating mass	225 kg

### COMPACTION

Amplitude	1.3 mm
Centrifugal force	35 kN
Frequency	80 hz

### TRACTION

Max. gradeability	32 %
Max. working speed	27 m/min

### DRIVE SYSTEM

Drive system	Mechanical
--------------	------------

### ENGINE

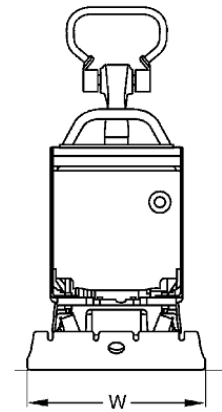
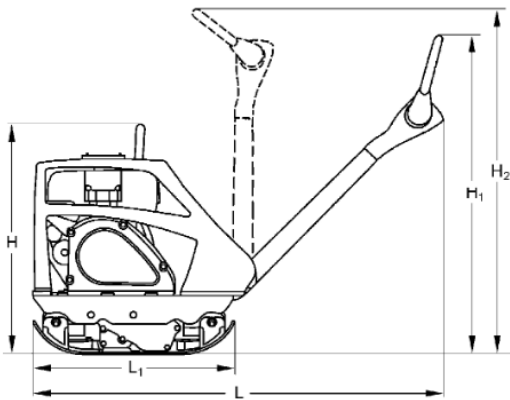
Manufacturer/Model	Hatz 1B20
Emissions according to	Stage V
Type	Air cooled diesel
Number of cylinders	1
Fuel tank capacity	3 l
Power	3.1 kW @ 3000 rpm

Find us locally at [www.dynapac.com](http://www.dynapac.com)

We reserve the right to change specifications without notice. Photos and illustrations do not always show standard versions of machines. The above information is a general description only, all informations are supplied without liability.



## DIMENSIONS



### DIMENSIONS

H. Height	688 mm
H1. Height	820 mm
H2. Height	1220 mm
L. Length	1510 mm
L1. Length	762 mm
W. Basic plate width	600 mm

### STANDARD EQUIPMENT OPTIONAL EQUIPMENT

- |   |   |
|---|---|
| <ul style="list-style-type: none"> <li>■ Control handle with vibration isolation</li> <li>■ Height adjustable control handle</li> <li>■ Control handle lock in transport and working position</li> <li>■ Reverse drive protection</li> <li>■ Highly wear resistant base plate</li> <li>■ All around protection hood</li> <li>■ All around protection for V-belt</li> <li>■ One point lift</li> <li>■ Automatic decompression</li> <li>■ Recoil starter</li> </ul> | <ul style="list-style-type: none"> <li>■ Block paving mat</li> <li>■ Puncture proof transport wheels (+5kg)</li> <li>■ Service Kit</li> </ul> |
|---|---|

Find us locally at [www.dynapac.com](http://www.dynapac.com)

We reserve the right to change specifications without notice. Photos and illustrations do not always show standard versions of machines. The above information is a general description only, all informations are supplied without liability.